

Note. The route from Edes' Mill is longer, consequently more expensive than the 'Preferred Project', from Mason's Foundry

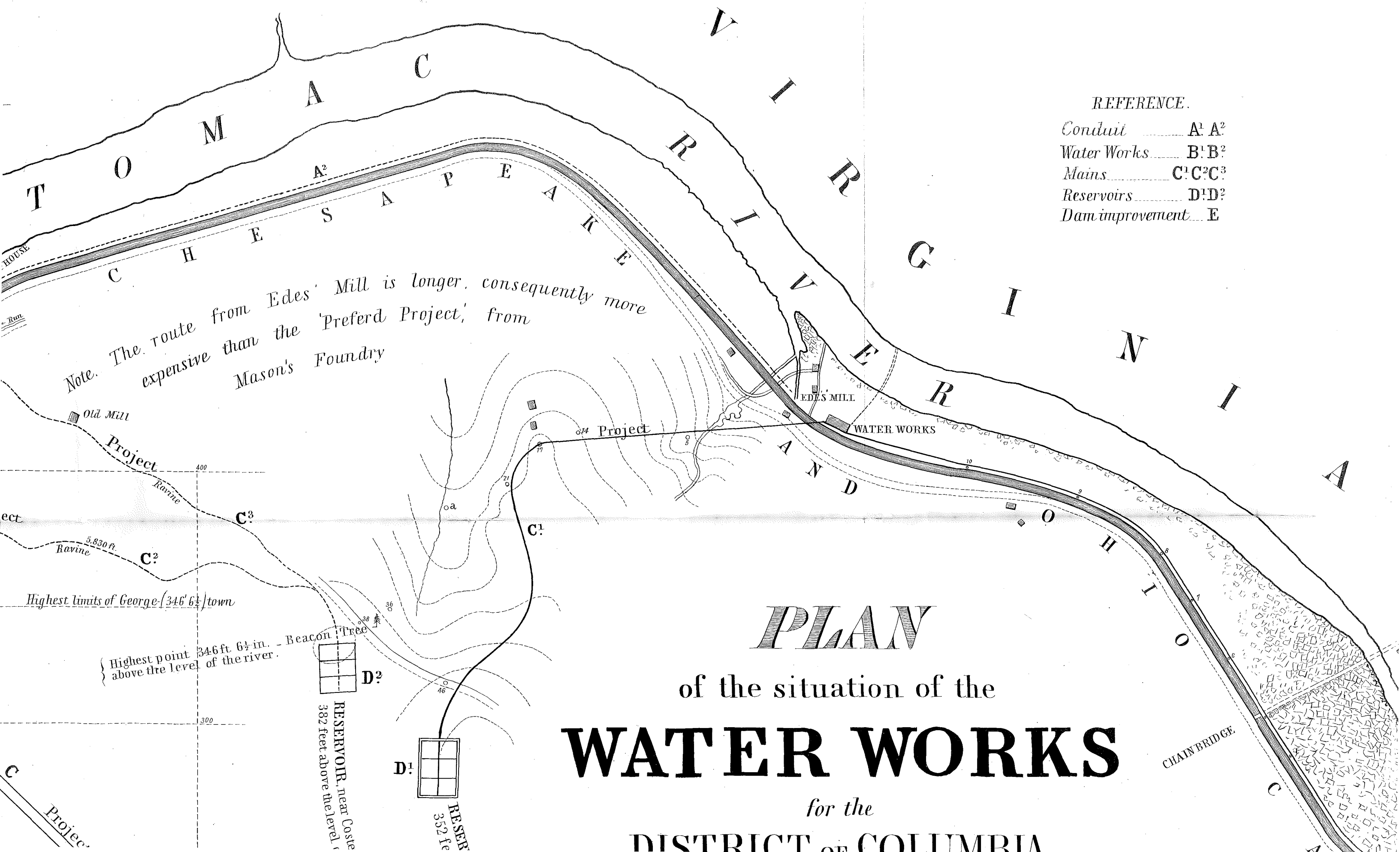
Highest limits of George (346' 6 1/2) town

Highest point 346 ft 6 1/2 in. - Beacon Tree above the level of the river.

RESERVOIR, near Costen's 382 feet above the level of

RESERVOIR 352 feet

PLAN
of the situation
WATER
for the
DISTRICT OF



REFERENCE.

- Conduit A¹ A²
- Water Works B¹ B²
- Mains C¹ C² C³
- Reservoirs D¹ D²
- Dam improvement E

Note. The route from Edes' Mill is longer, consequently more expensive than the 'Preferd Project,' from Mason's Foundry

PLAN

of the situation of the

WATER WORKS

for the

DISTRICT OF COLUMBIA

Highest limits of George (346' 6 1/2") town

Highest point 346 ft 6 1/2 in. above the level of the river. Beacon Tree

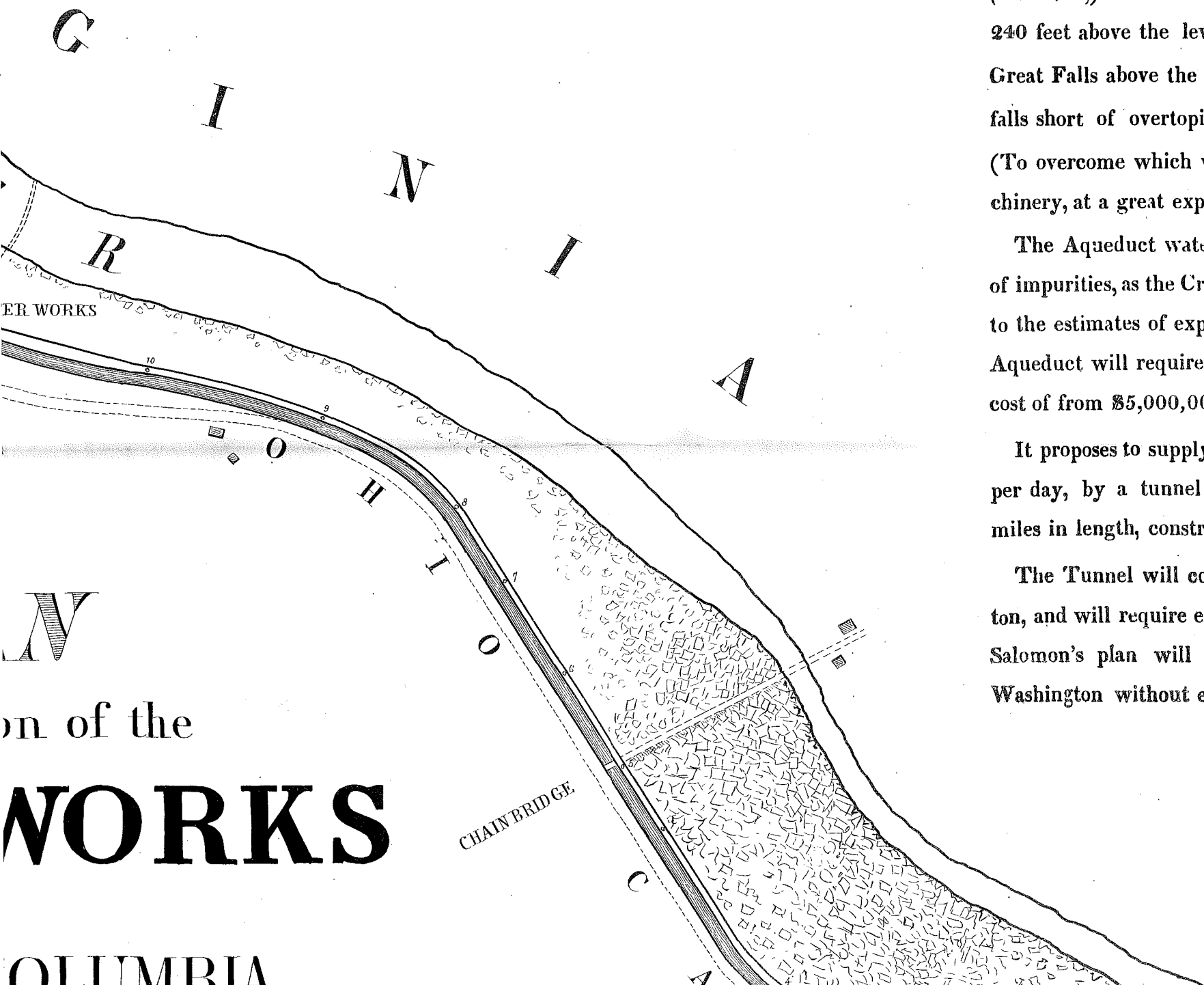
RESERVOIR, near Coste
382 feet above the level

RESERVOIR
352 feet

CHAIN BRIDGE

REFERENCE.

Conduit A¹ A²
 Water Works B¹ B²
 Mains C¹ C² C³
 Reservoirs D¹ D²
 Dam improvement... E



on of the
WORKS

COLUMBIA

AQUEDUCT PLAN.

AS REPORTED IN 1852 AND 1853 FROM SURVEYS OF
 GOVERNMENT—MILITARY ENGINEERS.

Grade of the Aqueduct, fall of 1 foot per mile,
 (14 miles,) hence as the Dome of the Capitol is
 240 feet above the level of the Potomac, and the
 Great Falls above the latter 161 feet, the Aqueduct
 falls short of overtopping the Capitol by 93 feet.
 (To overcome which will require much extra ma-
 chinery, at a great expense.)

The Aqueduct water will be subject to all sorts
 of impurities, as the Croton water is; and, according
 to the estimates of experienced civil engineers, the
 Aqueduct will require five years to construct, at a
 cost of from \$5,000,000 to \$7,000,000.

It proposes to supply 67,596,400 gallons of water
 per day, by a tunnel of 9 feet diameter, and 14
 miles in length, constructed of brick and cement.

The Tunnel will convey the water to Washing-
 ton, and will require extra machinery to elevate it.
 Salomon's plan will convey the water *through*
 Washington without extra machinery.

SALOMON'S PLAN.

FROM SURVEYS BY CIVIL ENGINEERS IN 1851 AND
 1852—BEFORE THE GOVERNMENT SURVEYS.

Reservoirs at an elevation of 382 feet above the
 Potomac, or 142 feet above the apex of the Dome
 of the Capitol.

The work can be completed in two years or
 less, at an estimated cost of \$1,000,000.

It is similar to the Fairmount Water Works, in
 possessing all of their advantages, but none of their
 defects.

By *mains* the water can be conveyed in all direc-
 tions, and a supply of pure sweet water, gurgling
 through iron pipes, to any amount the District can
 ever require, *ad infinitum*.

If Government should conclude to prosecute the
 Aqueduct, that need not prevent the adoption and
 prosecution of Salomon's Plan; as when the for-
 mer shall have reached the latter it can be turned
 over to the Government, at a fair valuation, while
 in the interim the citizens have the enjoyment of
 pure wholesome water for three years.

Projected by
J. C. F^r Salomon,
 assisted by A. Salom

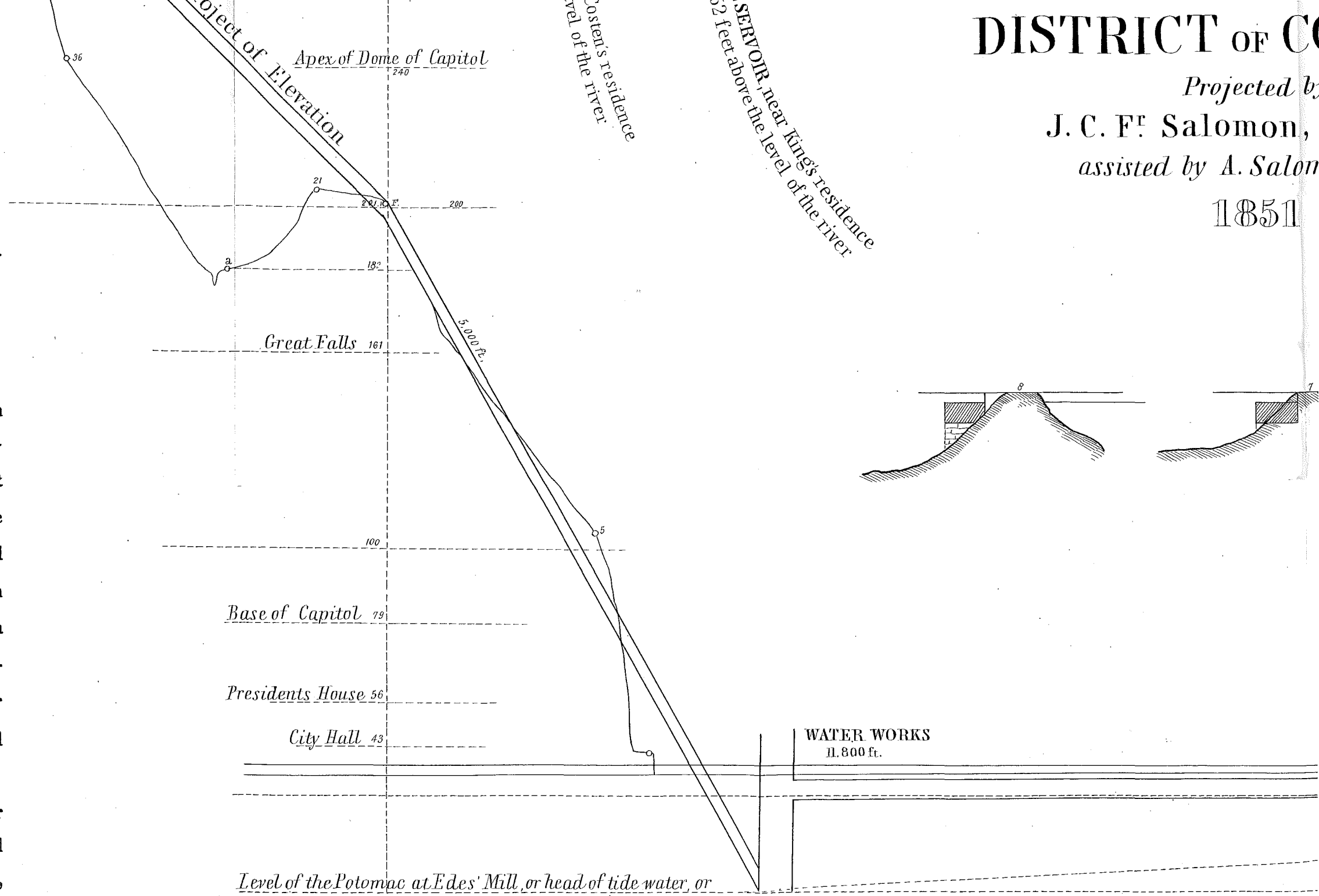
1851

SUPPLIES OF CITIES.

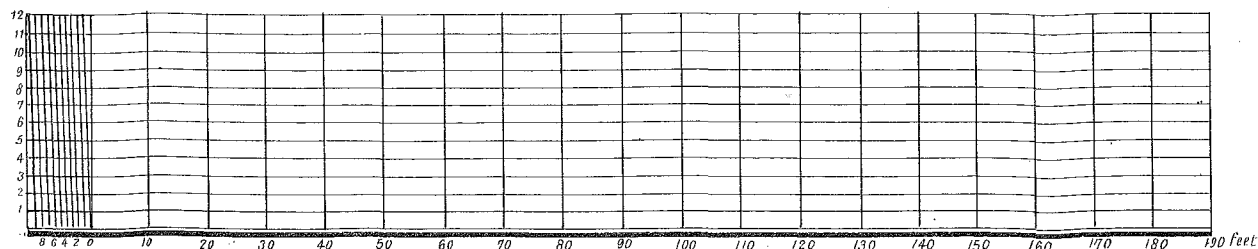
PARIS	- - - -	22,000,000	Gallons per day.
LONDON	- - - -	45,000,000	" "
BOSTON	- - - -	10,000,000	" "
NEW YORK	- - - -	30,000,000	" "
PHILADELPHIA	- - - -	15,000,000	" "
WASHINGTON	- - - -	50,000,000	" "

The last by Salomon's plan, (if adopted,) with an indefinite increase, and the water of the Potomac driven through iron pipes and kept in constant rapid motion, as proposed, will be far more pure than the water supplied to any of the above named cities, except Philadelphia; and the building lot on the highest elevations in the District of Columbia can be watered by this plan without any extra machinery; and retentive reservoirs, or reservoirs for storage, of any required quantity, can be constructed at any time at light cost.

Of course, from the immense "head" the water will attain, and the vast quantities in which it will flow, all the purposes of Sewerage, Manufacturing, Fountains, in public and private grounds, baths, and all household uses, will be amply provided.



Vertical Scale 1.383



DISTRICT OF COLUMBIA

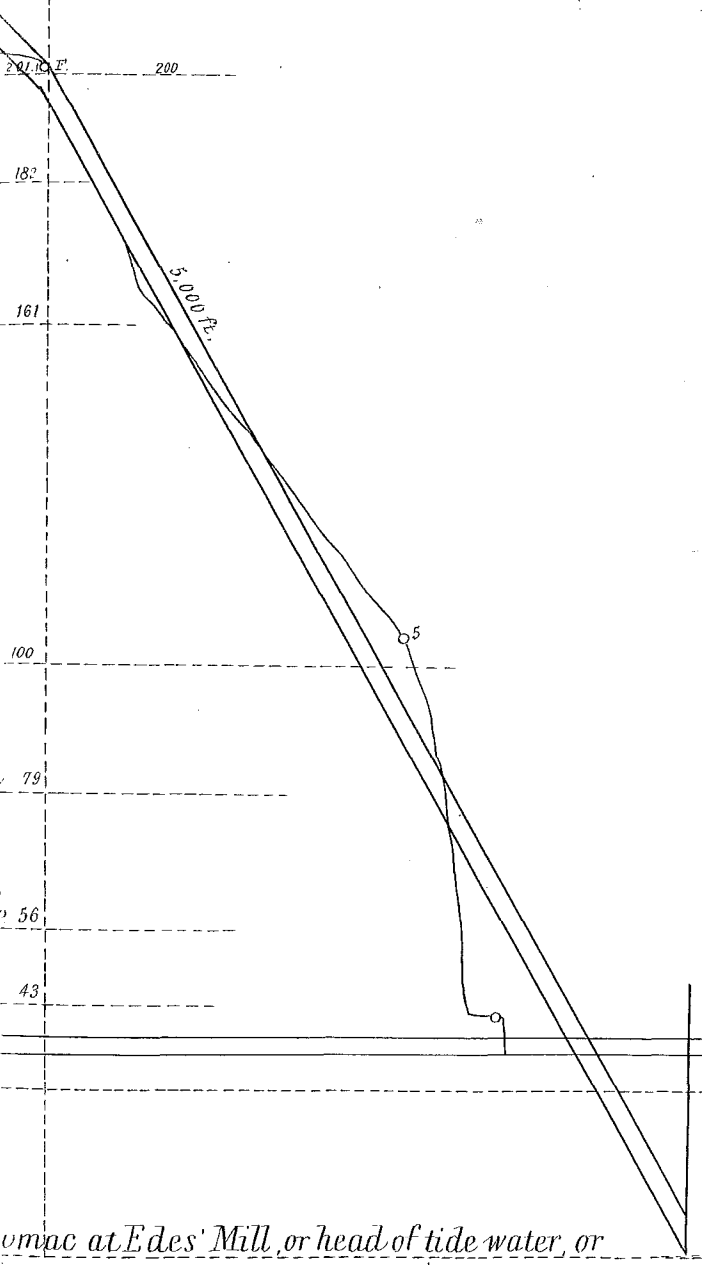
Projected by
J. C. F. Salomon, Civ. Eng^r
assisted by A. Salomon, Surv.

1851

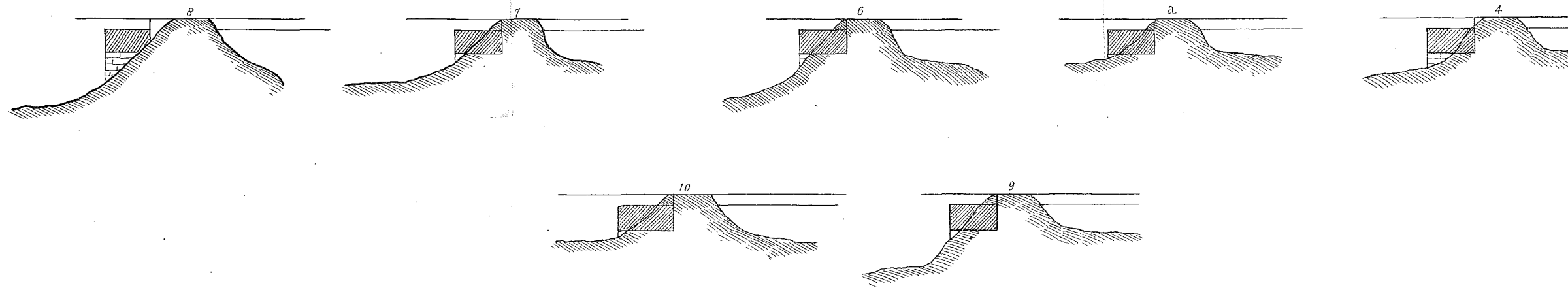
Dome of Capitol
240

King's residence
of the river

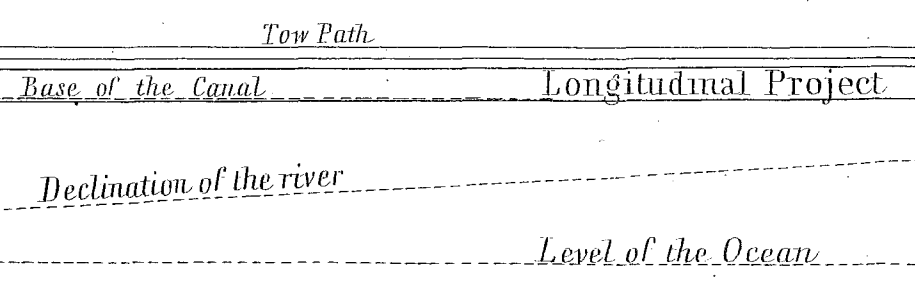
RYOR near King's residence
feet above the level of the river



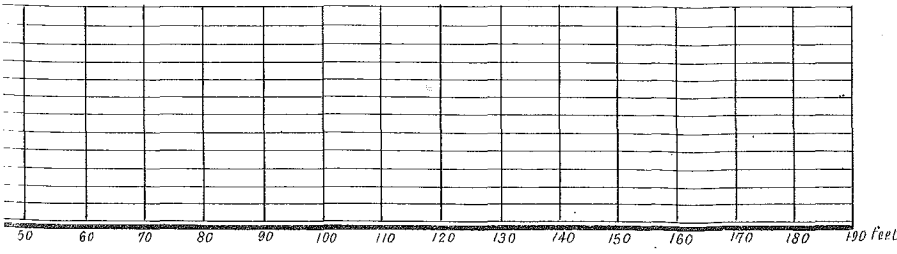
SECTIONAL PROFILES (On the longest line)



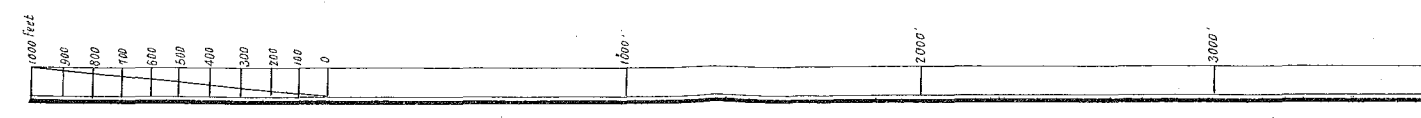
LONGITUDINAL PROFILE



Vertical Scale 1.383

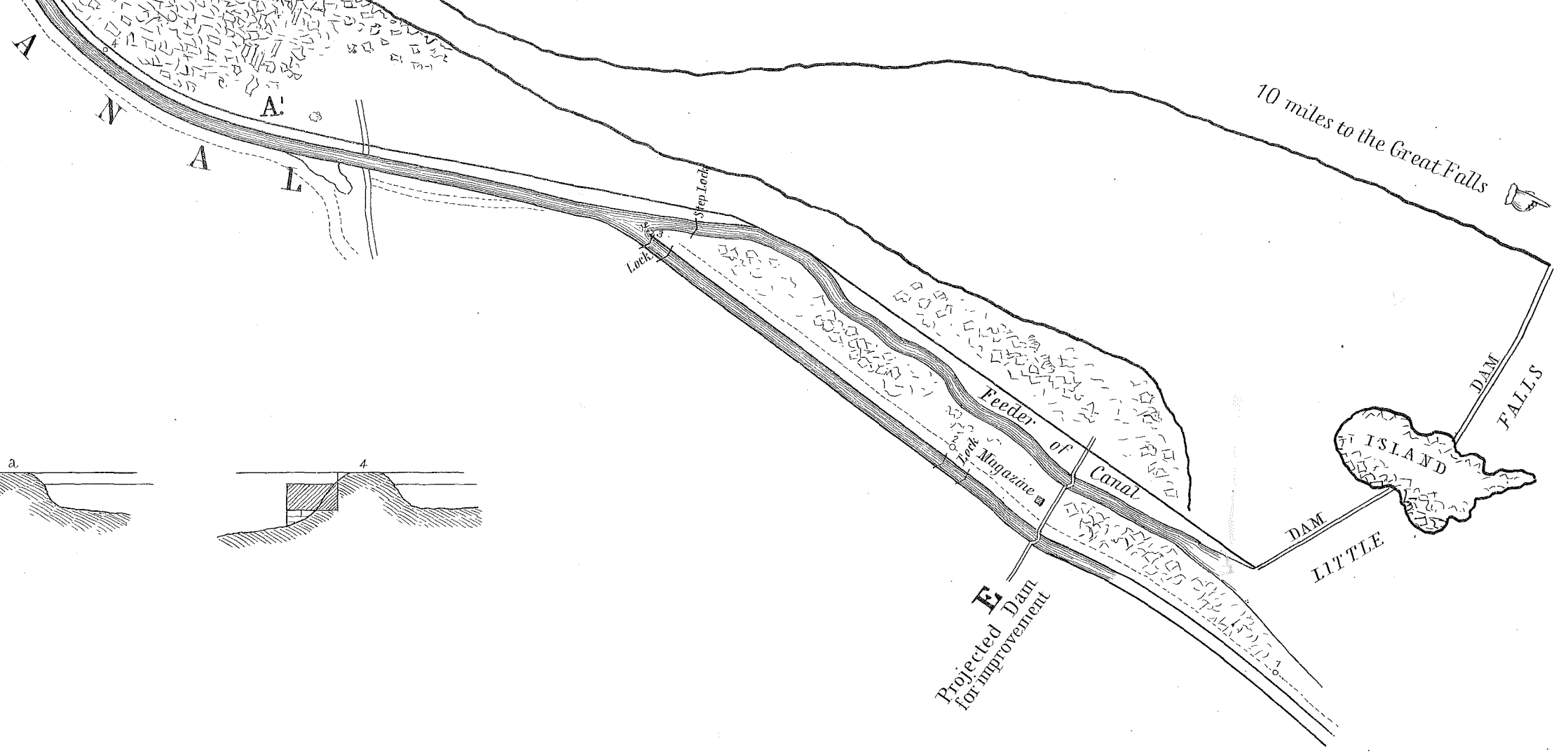


Horizontal Scale 1.7700

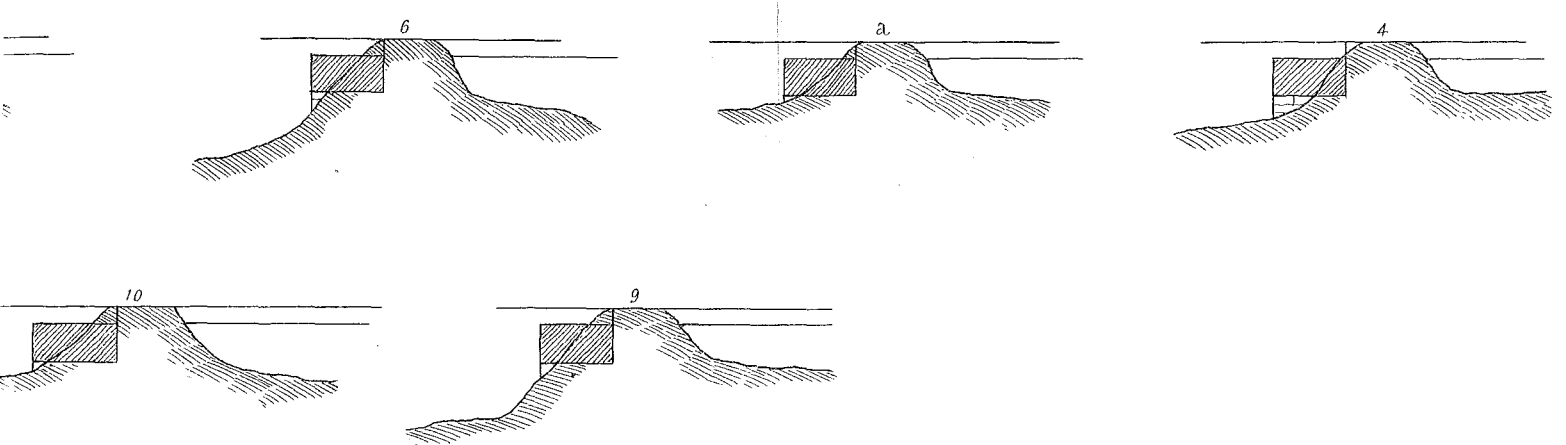


UMBIA

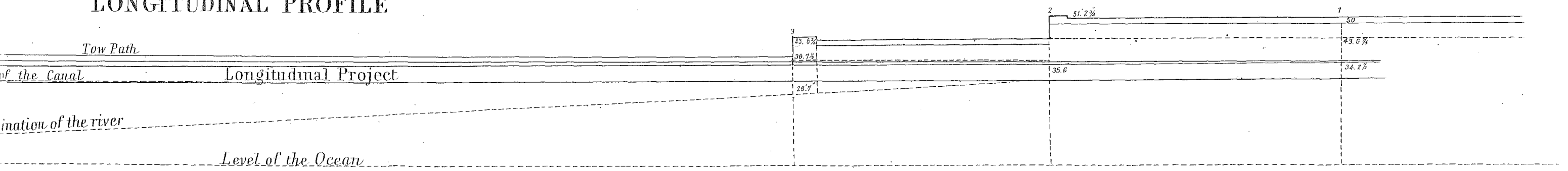
Eng^r
Surv.



SECTIONAL PROFILES (On the longest line)



LONGITUDINAL PROFILE



Horizontal Scale 1.7700

